

Butterfly Valves

Physical shut off, manual restrictions, control or service needs in irrigation head controls, field plots, nurseries, greenhouses, water conveyance systems.



Resistant



Ultimate durability



Easy installation

/ Benefits & Features

→ Saves operation costs

A quarter turn shut off valve, user friendly design allowing smooth handle operation

Corrosion resistant and UV stabilized

Light weight and very easy to install between two flanges, at any position, saves labor costs and multiple investments in maintenance

Highly reliable operation and durable over time

/ Specifications & Recommendations

→ For shutting off or manual regulating flow. Specifically designed for water and irrigation systems applications

→ Ergonomic multifunctional handle enabling quick operation, with 15° adjustment graduations

→ Drilling pattern with oval slots allowing coupling to flanges and complying with numerous international standards

→ Can also be installed as an end line valve, bottom discharge valve or tank dump valve

→ Operational up to 10bar

→ Low torque required to activate the valve under pressure, due to low-friction stem bushing

→ PVC resins feature high value material strength and extremely long lifetime

→ Low head losses

→ One-piece body made of PVC-U

→ Disc designed ensuring low torque and low head loss

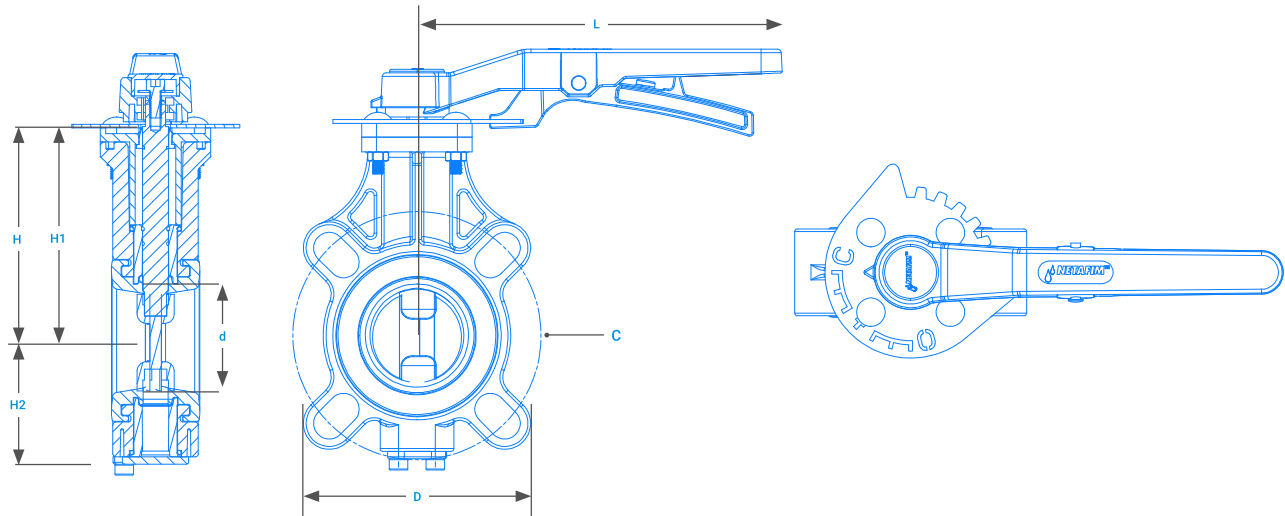
→ Suitable for piping in a limited space: 46mm (models 2", 2½", 3") and 56mm (model 4")

→ Packaging Data

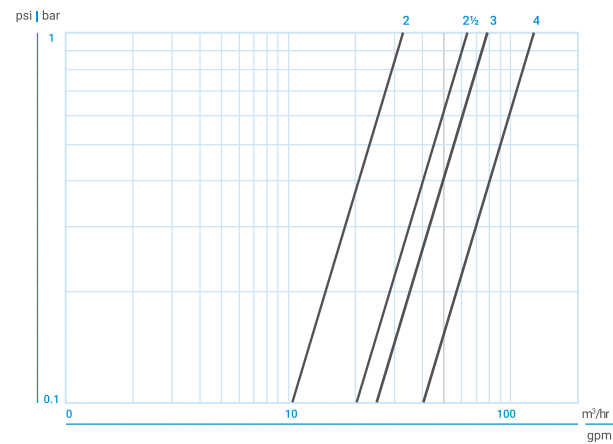
Model	Quantity/P/Box (unit)	Box Sizes (cm x cm x cm)	Box Weight (kg)	Boxes P/Pallet
2"	2	39.5 x 28.5 x 13.0	2.98	48
2½"			3.40	
3"			3.73	
4"		40.0 x 37.5 x 13.5	5.79	30

→ Technical Dimensions

Mode Part	2"	2½"	3"	4"
d	50	65	80	100
D	117	112	128	162
H1	130	134	144	152
H2	71	88	91	106
H	165	174	182	197
L	198.5	198.5	198.5	279.0
C (POD)	120.8	137.5	155.5	183.0



→ Head Loss

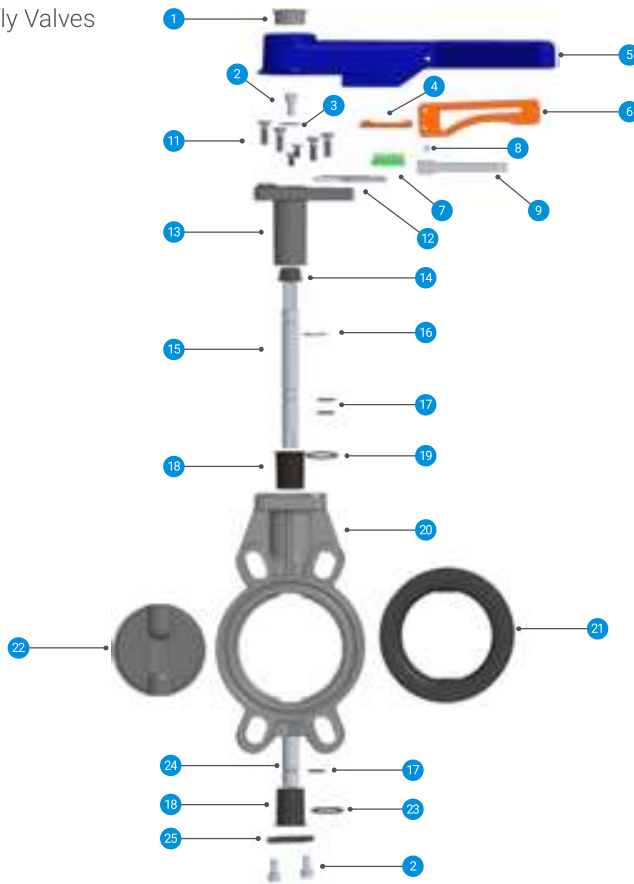


→ Catalog Numbers

Product Description	Catalog Number
NMV PVC B.FLY VLV 2" 4 S BTW FLNG	77452-000100
NMV PVC B.FLY VLV 2½" 4 S BTW FLNG	77452-000101
NMV PVC B.FLY VLV 3" 4 S BTW FLNG	77452-000102
NMV PVC B.FLY VLV 4" 4/8 S BTW FLNG	77452-000103

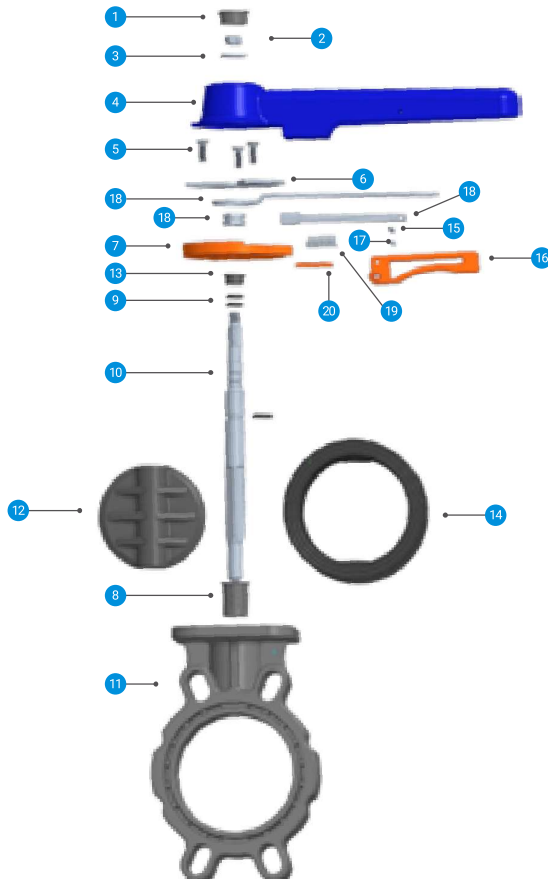
→ Material Specification

PVC Butterfly Valves
2", 2½", 3"



#	Part Name	Material
1	Logo cap	ABS
2	Allen screw	SS304
3	Handle washer	SS304
4	Handle dowel	SS304/316
5	Handle	PPGF
6	Lever	ABS
7	Spring	SS304/316
8	Lever pin	SS304/316
9	Lever patti	SS304/316
10	Spring cover	PPGF
11	Csk screw	SS304/316
12	Cutch plate	SS304/316
13	Sleeve	PVC
14	Locking bush	MOS2
15	Big shaft	SS304/316
16	E-ring	SS304/316
17	Shaft oring	NBR
18	Big bush	MOS2
19	Bush oring	NBR
20	Body	PVC
21	Seal	EPDM
22	Disc	SS304/316
23	Bush oring	NBR
24	Small shaft	SS304
25	Base plate	POM

PVC Butterfly Valves 4"



#	Part Name	Material
1	Logo cap	ABS
2	Hex bolt	SS304
3	Handle washer	SS304
4	Handle	ABS
5	Csk bolt	SS304/316
6	Clutch plate	SS304/316
7	Handle guider	ABS
8	Big bush	MOS2
9	Shaft o-ring	NBR
10	Shaft	SS304/316
11	Body	PVC
12	Disc	PVC
13	Locking bush	MOS2
14	Rubber seal	EPDM
15	Handle dowel	SS304/316
16	Lever	ABS
17	Lever dowel	SS304/316
18	Lever patti	SS304/316
19	Spring	SS304/316
20	Spring lock plate	ABS